

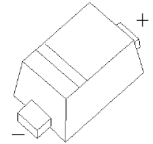


1SS389 SCHOTTKY BARRIER DIODE



FEATURES

- High Speed
- High Reliability
- Small Package
- Low Forward Voltage



APPLICATIONS

- High Speed Switching

SOD-523

MARKING : N

MAXIMUM RATINGS ($T_a=25^{\circ}\text{C}$ unless otherwise noted)

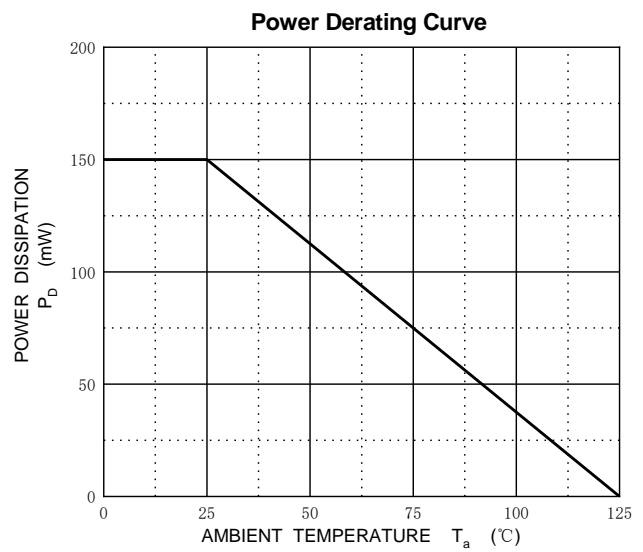
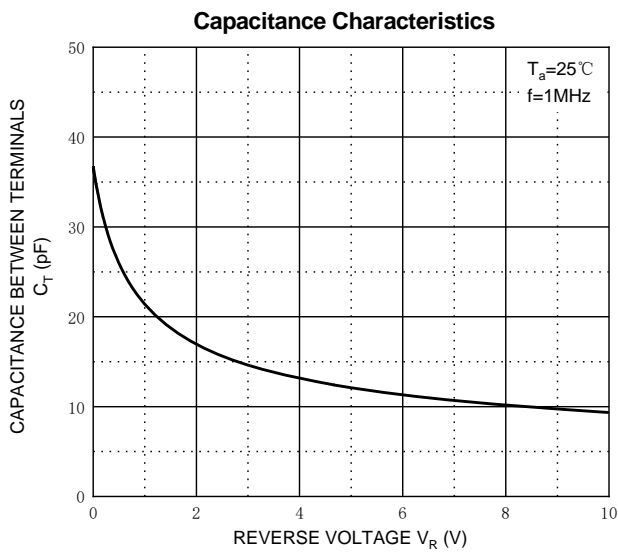
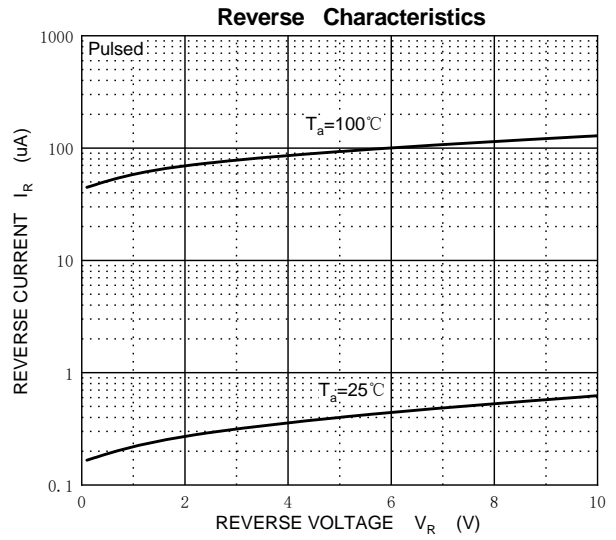
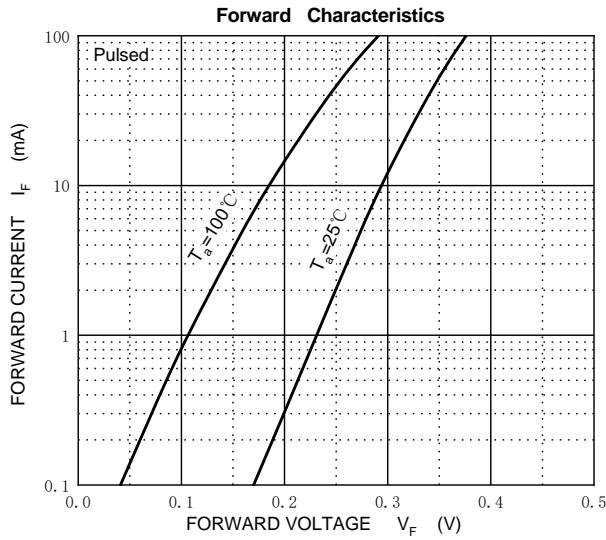
Symbol	Parameter	Value	Unit
V_R	DC Blocking Voltage	10	V
I_O	Continuous Forward Current	100	mA
I_{FM}	Peak Forward Current	200	mA
I_{FSM}	Non-repetitive Peak Forward Surge Current @ $t=8.3\text{ms}$	1	A
P_D	Power Dissipation	150	mW
$R_{\theta JA}$	Thermal Resistance From Junction To Ambient	667	$^{\circ}\text{C/W}$
T_j	Operating Junction Temperature Range	-40~+125	$^{\circ}\text{C}$
T_{stg}	Storage Temperature Range	-55~+150	$^{\circ}\text{C}$

ELECTRICAL CHARACTERISTICS($T_a=25^{\circ}\text{C}$ unless otherwise specified)

Parameter	Symbol	Test conditions	Min	Typ	Max	Unit
Reverse voltage	$V_{(BR)}$	$I_R=100\mu\text{A}$	10			V
Reverse current	I_R	$V_R=10\text{V}$			20	μA
Forward voltage	V_F	$I_F=1\text{mA}$		0.18		V
		$I_F=5\text{mA}$			0.3	
		$I_F=100\text{mA}$			0.5	
Total capacitance	C_{tot}	$V_R=0\text{V}, f=1\text{MHz}$			40	pF



Typical Characteristics

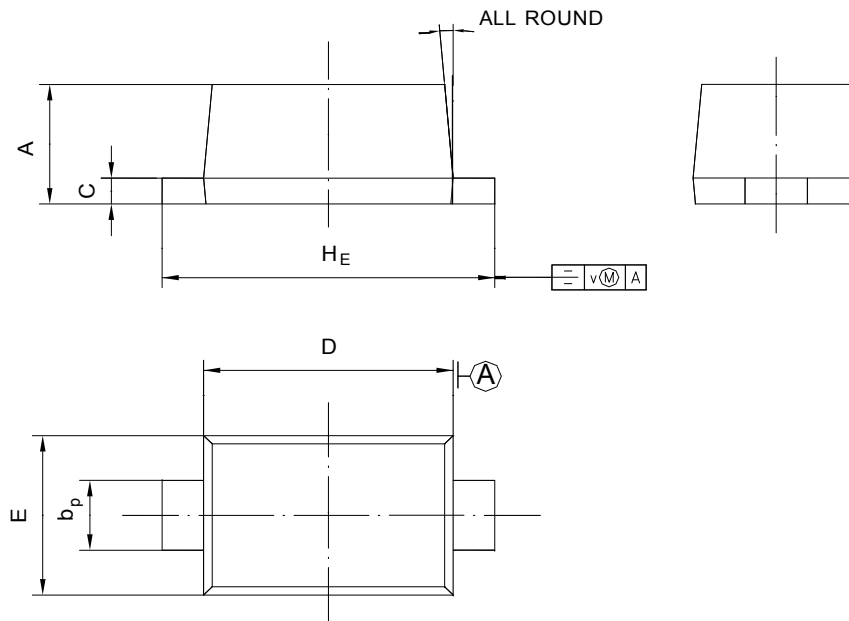




PACKAGE OUTLINE

Plastic surface mounted package; 2 leads

SOD-523



UNIT	A	b _p	C	D	E	H _E	V	∠
mm	0.68 0.58	0.4 0.3	0.135 0.100	1.25 1.15	0.85 0.75	1.7 1.5	0.1	5°